


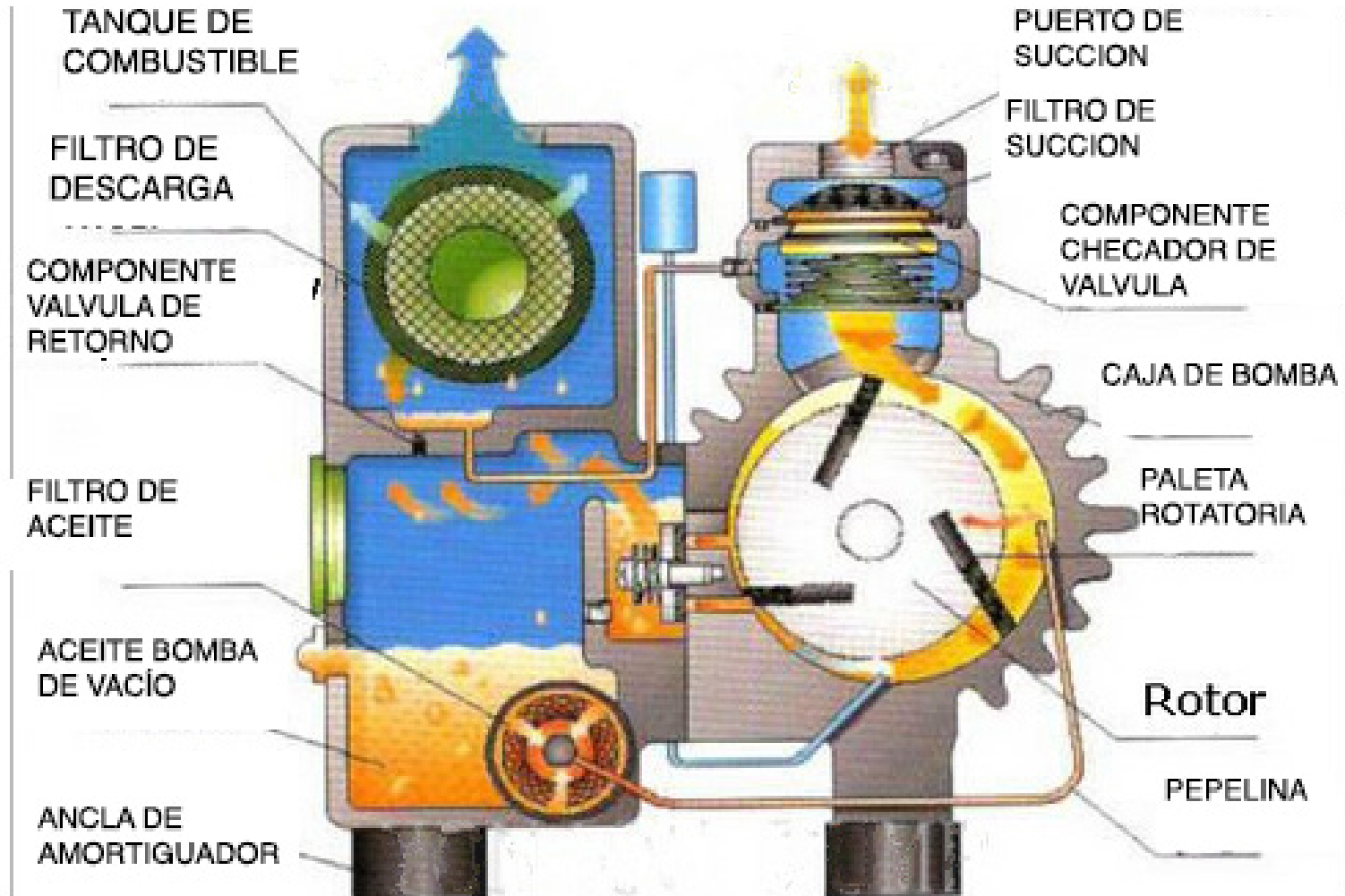
BOMBAS DE VACÍO

The image shows three industrial vacuum pumps mounted on a blue metal frame. Each pump has a blue motor at the top and a stainless steel cylindrical body. They are connected to a network of blue pipes with various valves and fittings. The background is a plain, light-colored wall.

FICHAS TÉCNICAS
2022

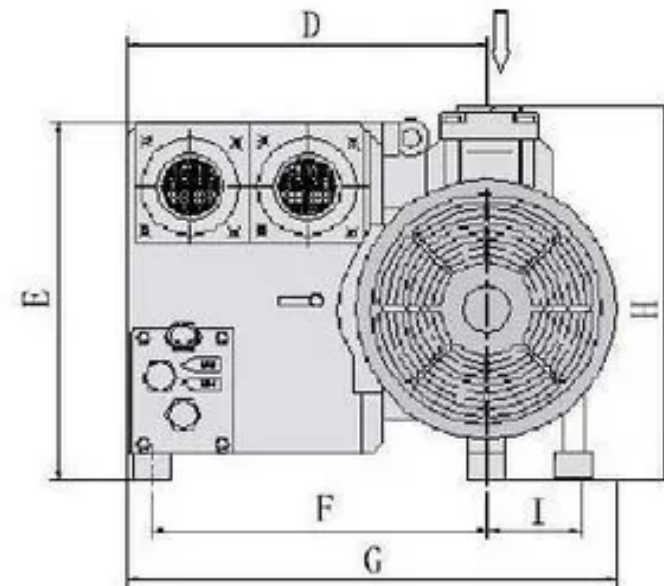
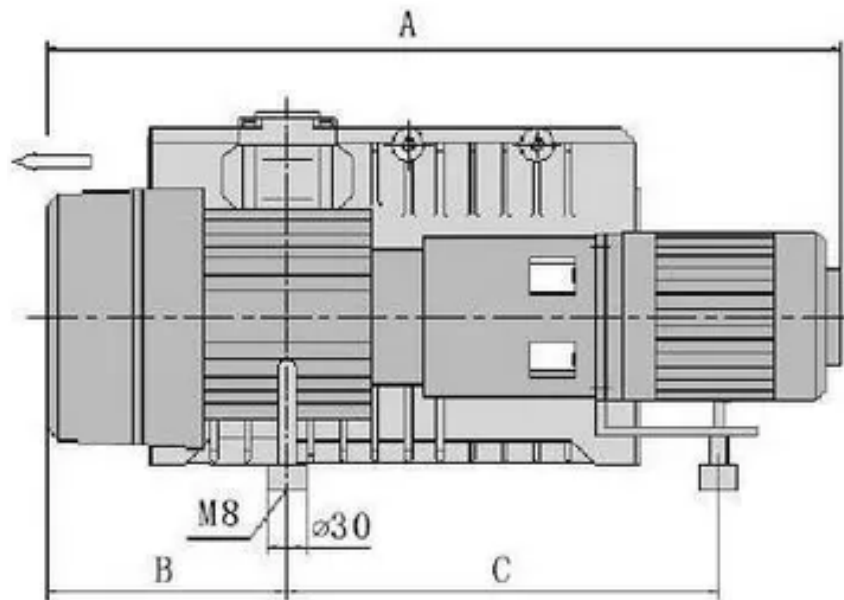
HÜRTZ

ESTRUCTURA



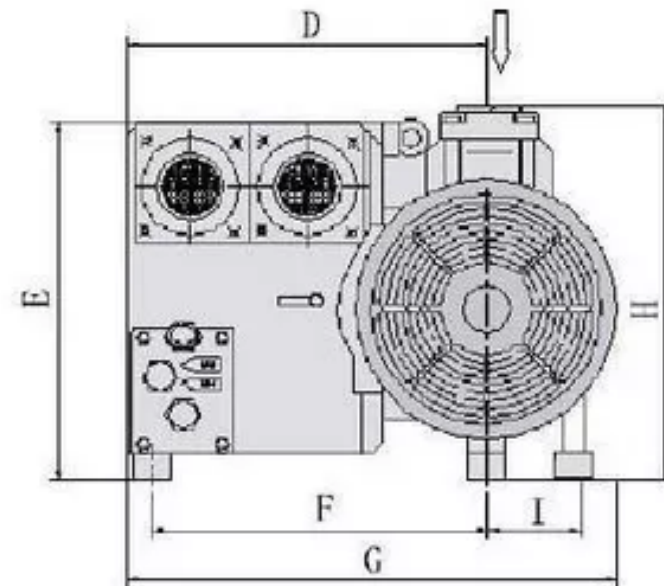
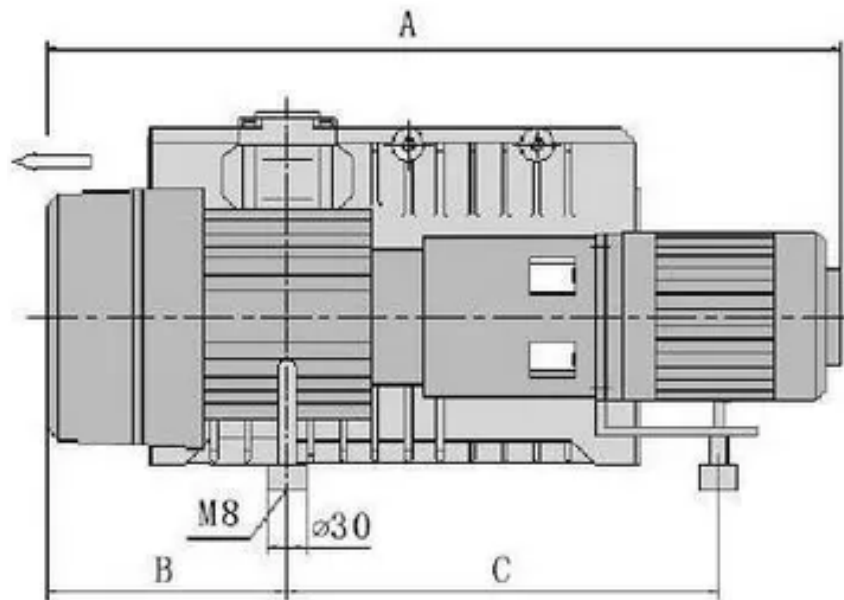
HÜRTZ

MODELO RH025



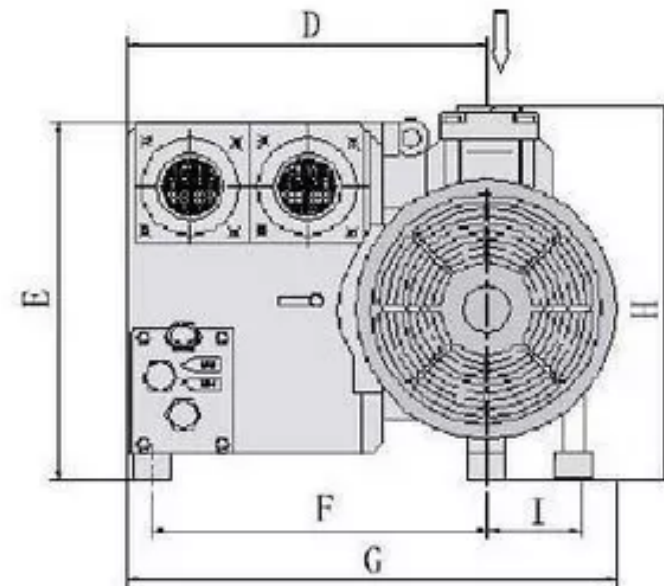
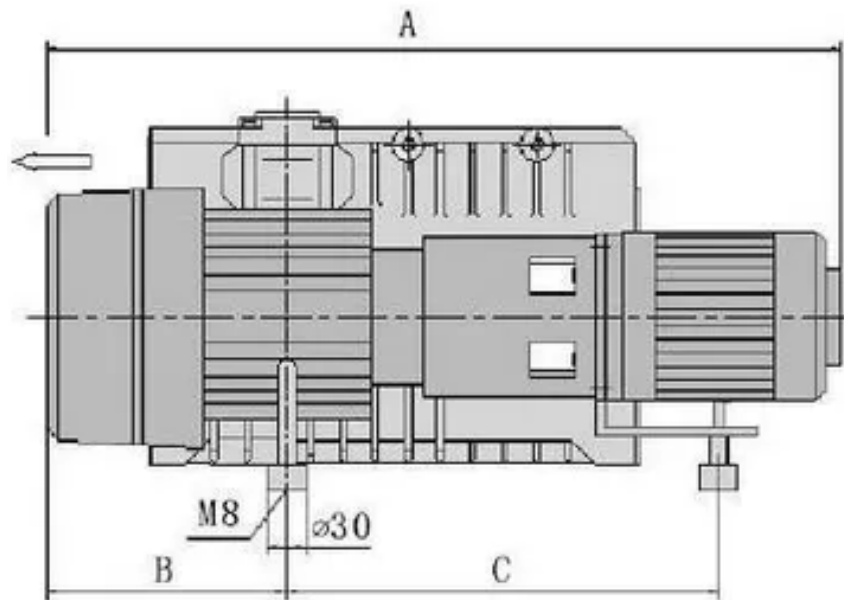
MODELO	A	B	C	D	E	F	G	H	I
RH025	470/500	120	225	215	195	135	240	180	-

MODELO RH040



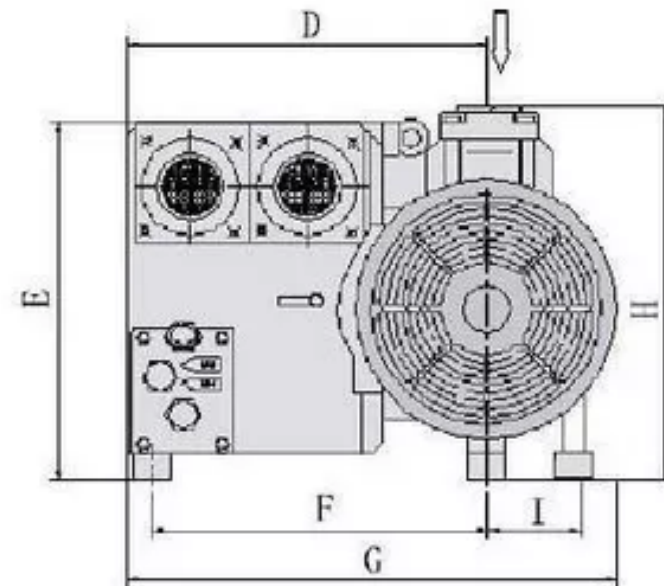
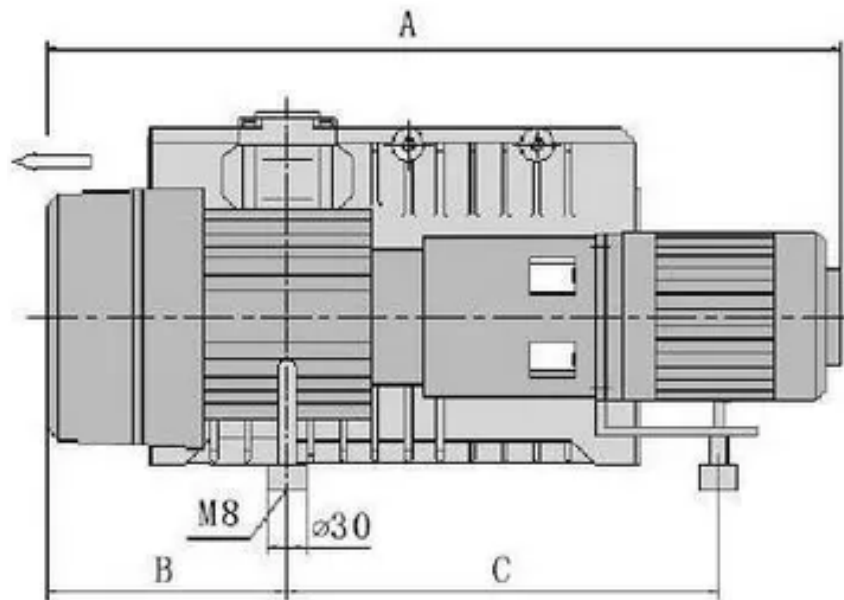
MODELO	A	B	C	D	E	F	G	H	I
RH040	650	150	290	195	270	175	300	280	70

MODELO RH063



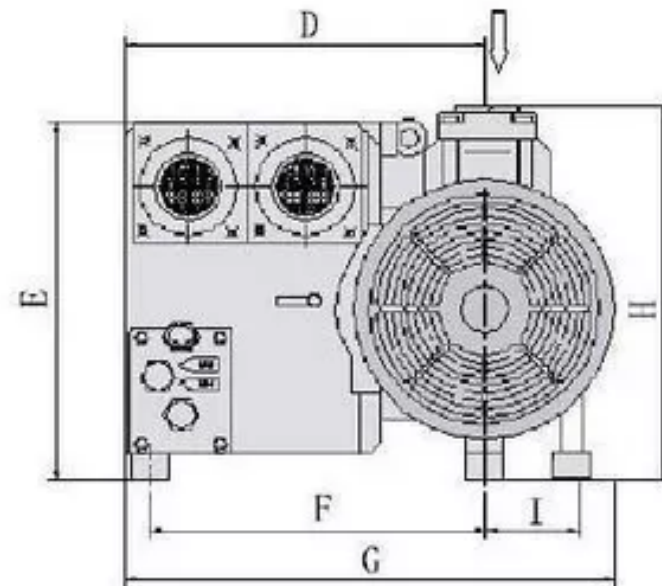
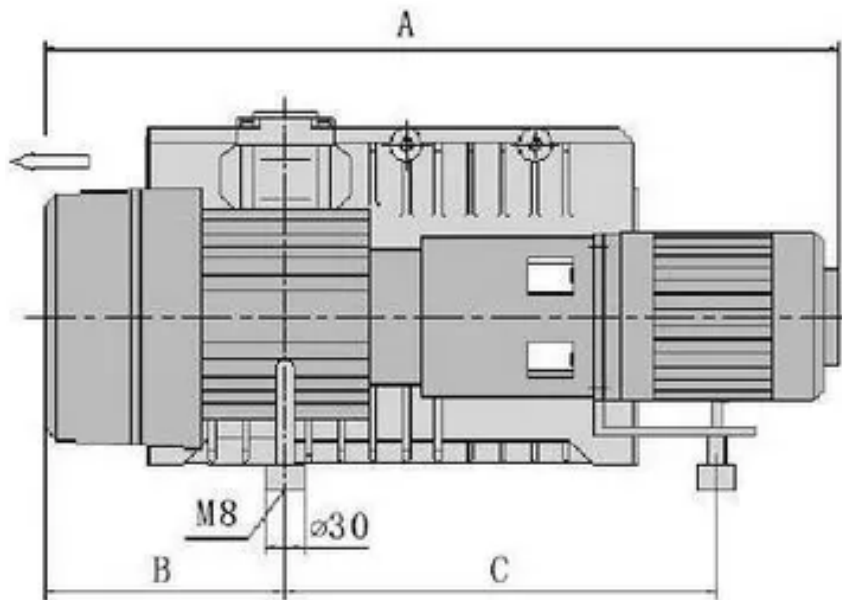
MODELO	A	B	C	D	E	F	G	H	I
RH063	650	150	265	295	285	278	430	295	-

MODELO RH100



MODELO	A	B	C	D	E	F	G	H	I
RH100	720	180	295	295	285	278	430	295	-

MODELO RH160



MODELO	A	B	C	D	E	F	G	H	I
RH025	470/500	120	225	215	195	135	240	180	-